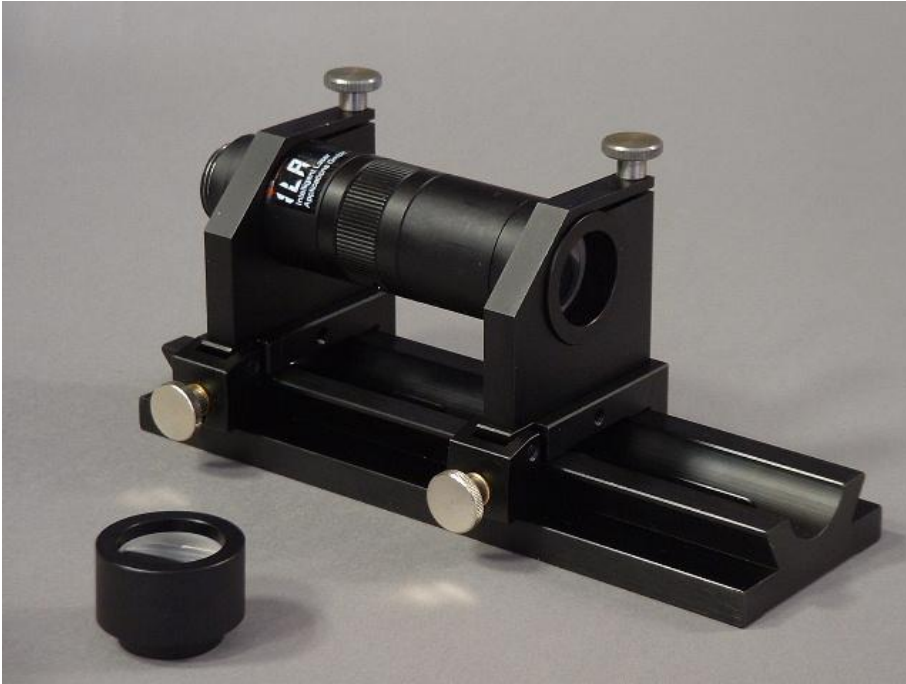


LS Mini Light Sheet Optics



PIV and PLIF measurements require a light sheet with well defined geometrical characteristics and intensity distribution. ILA offers a range of integrated light sheet optics that are compact, modular and simple to adjust. In a single unit, the standard models include a focal distance adjustment ring to set the light sheet thickness in the illumination plane, and a set of cylindrical lenses to generate light sheet angles of 8, 16, 30 and 50 degrees. The light sheet optic LS mini is compatible with the beam diameter of all commercial Mini Nd:YAG lasers up to 380 mJ. Other units in the range can accommodate higher pulse energy and larger beam diameters, depending on the laser model.

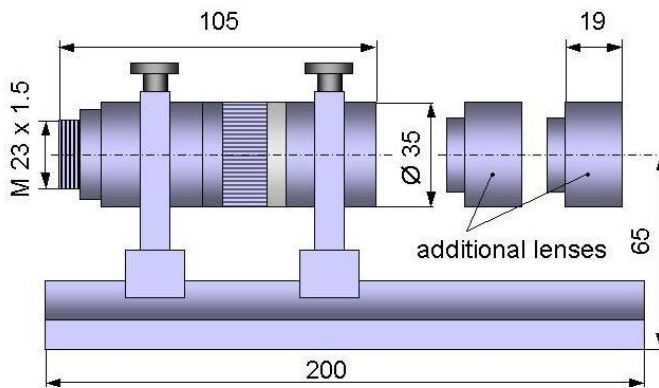
Features:

- Single, compact unit
- Simple adjustment of both light sheet thickness and light sheet divergence angle
- 360 degree adjustable light sheet orientation
- Multiple light sheet thickness and angles ranges
- Mounts on articulated mirror arm or directly on Mini Nd:YAG Laser heads



Specifications

LS Mini Light Sheet Optic



Dimensions:	<u>105 mm x Ø35 mm</u>
Weight	<u>918 g</u>
Aperture	<u>Ø12 mm</u> (standard design)
Lenses	3 or 4 lenses, anti-reflexion coated, energy threshold 4,5 J/cm ²

<u>Light sheet divergence angle</u>	Adjustable in steps (8°, 16°, 30° and 50°)
Focussing Distance	Adjustable <u>100...3000 mm</u>
Min. Light Sheet Thickness(*)	0.5 mm

Accessories

- Laser adapter mount for Nd:YAG Laser (for several models available)
- General-purpose rail-mounted clamp to fix light sheet optics position (when interfaced to the mirror arm)
- Adapter piece for mirror arm (M23x1.5)

Options

- Collimating lens unit to generate parallel light sheets, standard widths 25 mm or 50 mm
- Output lens unit to achieve different light sheet divergence angles

(*) Achievable minimum light sheet thickness is a function of the beam diameter, and therefore of the Laser model coupled to the light sheet optic.

